



TECHNICAL SPECIFICATION SHEET

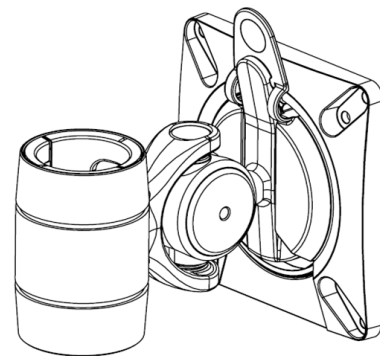
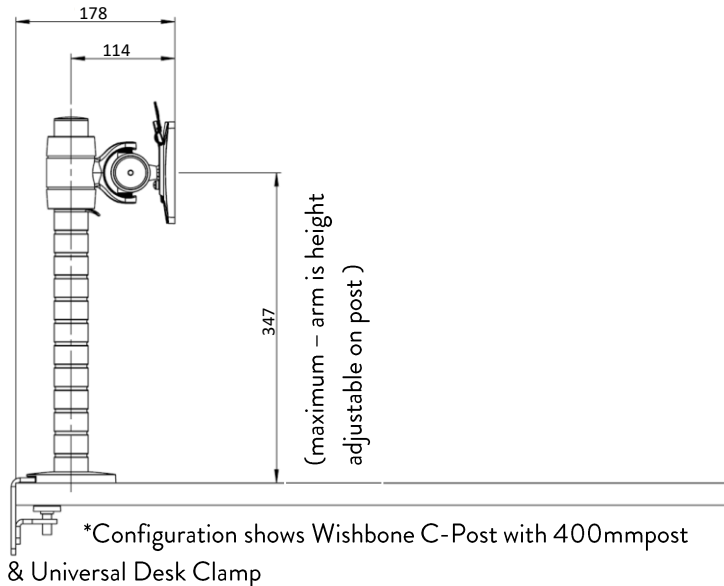
PRODUCT NAME: Wishbone C-Post

PRODUCT CODE: WSH/003/PQR

Doc Rev 3.

Product Rev #M

12.09.17 CF



*Note all dimensions provided are measured in mm

KEY FEATURES

- Iconic design
- Easy to install
- Mounts to walls, slatwalls and desks using a variety of fixing options
- Fits with all CBS posts to give a wide range of height / aesthetic / cost options.
- Over 90 degree vertical tilt to avoid glare
- Over 180 degree horizontal movement
- Easy to change screen orientation: portrait to landscape

Product Classification	Monitor Arms
Max load	12kg (26.4lb)
Horizontal Range	114mm
Recycled content	49.81%
Total product recyclable	100%

LOGISTICAL

Box contains	Arm and PQR Head
Product net weight:	0.56 kg
Box dims (HxWxD)	90 x 175 x 129 mm
Box gross weight	0.66 kg
Carton quantity	24
Master dims (HxWxD)	300 x 375 x 540 mm
Master weight	16.5 kg
Country of origin	China
Country of configuration	UK

ORDERING INFORMATION

<u>Product Description</u>	<u>Product code</u>	<u>Colour</u>
Wishbone C-Post	WSH/003/PQR	:/S Silver or :/B Black

WARRANTY

Warranty Term	Limited lifetime
----------------------	------------------

COMPLIANCE & SAFETY CERTIFICATION

Whilst no mandatory standards apply to the monitor arm product sector, all Colebrook Bosson Saunders monitor arms have been designed with appropriate articulation features, dimensional range and adjustability to conform to the requirements of BS EN ISO 9241:5 1999 Ergonomic requirements for office work with visual display terminals (VDTs).

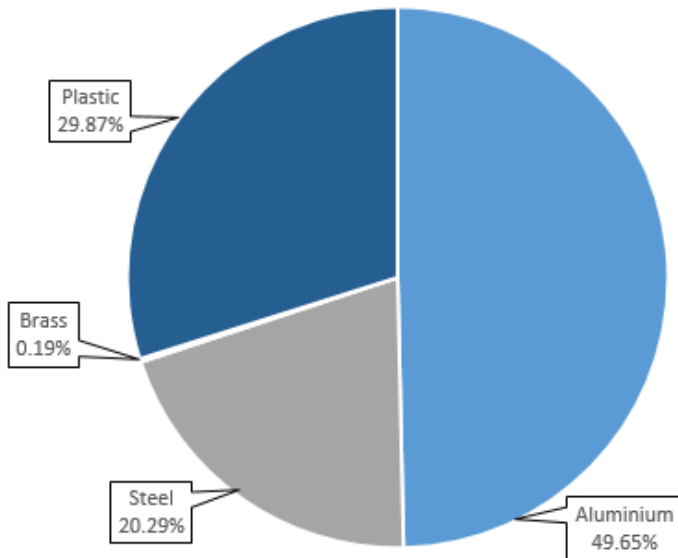
Conformance certification	N/A
Test authority	CBS
Safety certification	N/A

ENVIRONMENTAL

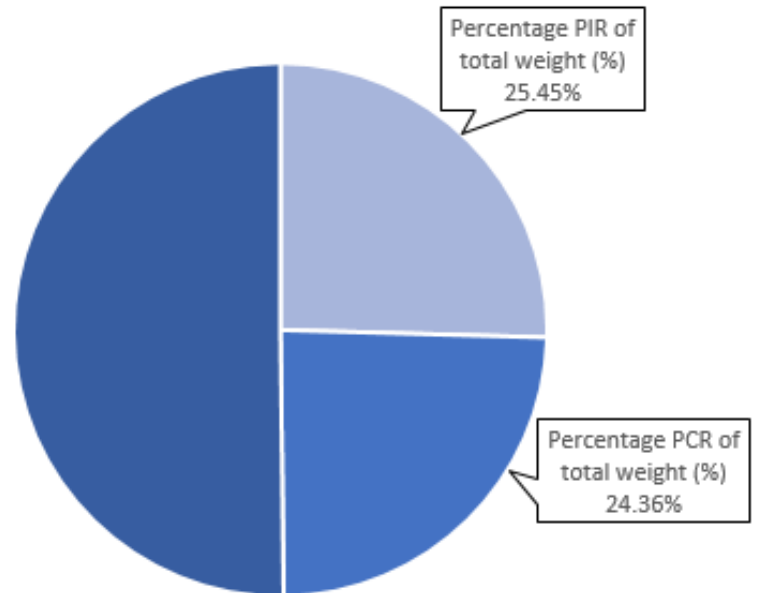
Material Make-up			Total Recycled Content	Breakdown of Recycled Content		Total Recyclable	
Overall Product			Overall Product			Overall Product	
Material type	Total Material type weight (g)	Percentage of Total Product Weight (%)	Material-Type Recycled Content (%)	Percentage PIR of total weight (%)	Percentage PCR of total weight (%)	Total Product Recyclable (g)	Total Product Recyclable (%)
Aluminium	266.00	49.65%	47.17%	25.00%	22.17%	266.00	49.65%
Zinc	0.00	0.00%	0.00%	0.00%	0.00%	0.00	0.00%
Steel	108.70	20.29%	2.64%	0.45%	2.19%	108.70	20.29%
Brass	1.00	0.19%	0.00%	0.00%	0.00%	1.00	0.19%
Plastic	160.00	29.87%	0.00%	0.00%	0.00%	160.00	29.87%
Total	535.70	100.00%	49.81%	25.45%	24.36%	535.70	100.00%

PIR = Post Industrial Recycled
PCR = Post Consumer Recycled

Total Product Weight (%)



Total Product Recycled Content (%)



CLEANING, STORAGE & MAINTENANCE

Routine servicing

Periodic inspection

Service components

Available to order

Cleaning & Maintenance

Damp cloth, no abrasives, no solvents to be used on the cosmetic surfaces

Handling & Storage

Do not drop or expose to moisture

While every effort is made to ensure the accuracy of our technical information, Colebrook Bosson Saunders (Products) Ltd accept no liability for the accuracy of the information contained in this document and reserve the right to modify the specifications or data contained herein without prior notification