



## TECHNICAL SPECIFICATION SHEET

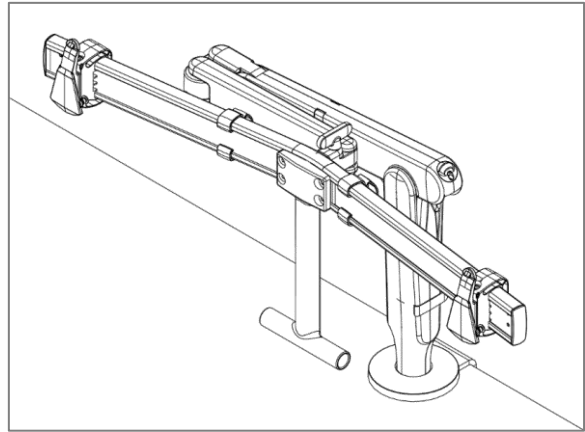
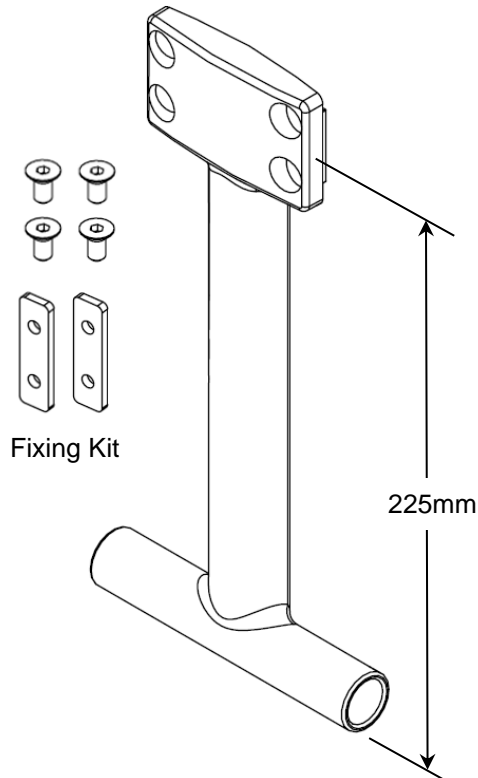
**RODUCT NAME:** Ollin Dual Mount Bar Handle

**PRODUCT CODE:** OLN/DMB/HA1

Doc Rev 2.

Product Rev #A

31.05.18 KO



### KEY SPECIFICATIONS

<b>Product Classification:</b>	Monitor Arm
<b>Handle Length:</b>	225mm
<b>Recycled content:</b>	2.7%
<b>Total product recyclable:</b>	100%

### KEY FEATURES

- Fits easily and securely to the Ollin Dual Mount Bar.
- Single handle size designed to suit all anticipated dual mount monitor sizes\*.
- Simple, discreet design with easy-grip 'T-bar' handle.
- Can be retrofitted to an existing Ollin Dual installation. (Retrofitting would require the monitors to be removed from the dual bar, or slid sideways to expose the central fixing position.)

Note \*: Handle extensions can be offered as a bespoke solution if required.

## LOGISTICAL

---

<b>Pack contains:</b>	Handle, 2 x fixing plates, 4 x fixing screws.
<b>Net product weight:</b>	0.19kg
<b>Product pack gross weight:</b>	0.215kg
<b>Product pack dimensions:</b>	Approx. 260mm x 140mm x 25mm (product is supplied in a poly-bag.)
<b>Carton quantity:</b>	18 pcs
<b>Carton gross weight:</b>	4.22kg
<b>Carton dimensions:</b>	360mm x 260mm x 140mm
<b>Pallet quantity:</b>	972 pcs (i.e. 54 cartons)
<b>Pallet weight:</b>	245.5kg
<b>Country of origin</b>	China

## ORDERING INFORMATION

---

<b><u>Product Description</u></b>	<b><u>Product code</u></b>	<b><u>Colour</u></b>
Ollin Dual Mount Bar Handle	OLN/DMB/HA1	/B: Black

## WARRANTY

---

<b>Warranty Term</b>	Limited lifetime
----------------------	------------------

## COMPLIANCE & SAFETY CERTIFICATION

---

Whilst no mandatory standards apply to the monitor arm product sector, all Colebrook Bosson Saunders monitor arms have been designed with appropriate articulation features, dimensional range and adjustability to conform to the requirements of BS EN ISO 9241:5 1999 Ergonomic requirements for office work with visual display terminals (VDTs).

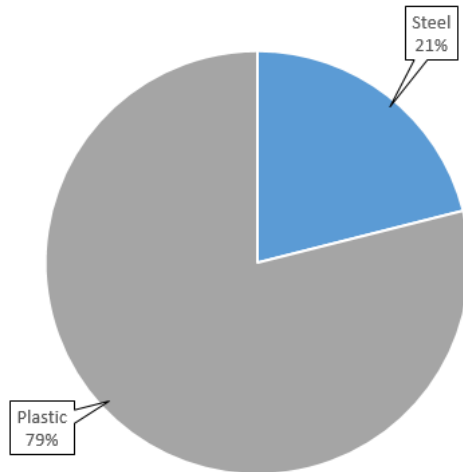
<b>Conformance certification</b>	N/A
<b>Test authority</b>	CBS
<b>Safety certification</b>	N/A

## ENVIRONMENTAL

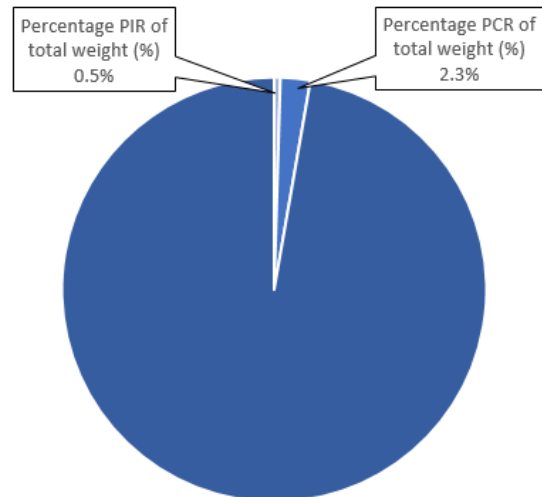
Material Make-up			Total Recycled Content	Breakdown of Recycled Content		Total Recyclable	
Overall Product			Overall Product			Overall Product	
Material type	Total Material type weight (g)	Percentage of Total Product Weight (%)	Material-Type Recycled Content (%)	Percentage PIR of total weight (%)	Percentage PCR of total weight (%)	Total Product Recyclable (g)	Total Product Recyclable (%)
Steel	40	21%	2.7%	0.5%	2.3%	40	21%
Plastic	150	79%	0.0%	0.0%	0.0%	150	79%
<b>Total</b>	<b>190</b>	<b>100%</b>	<b>2.7%</b>	<b>0.5%</b>	<b>2.3%</b>	<b>190</b>	<b>100%</b>

PIR = Post Industrial Recycled  
PCR = Post Consumer Recycled

Total Product Weight (%)



Total Product Recycled Content (%)



## CLEANING, STORAGE & MAINTENANCE

### Routine servicing

Periodic inspection

### Service components

Available to order

### Cleaning & Maintenance

Damp cloth, no abrasives, no solvents to be used on the cosmetic surfaces

### Handling & Storage

Do not drop or expose to moisture

While every effort is made to ensure the accuracy of our technical information, Colebrook Bosson Saunders (Products) Ltd accept no liability for the accuracy of the information contained in this document and reserve the right to modify the specifications or data contained herein without prior notification.