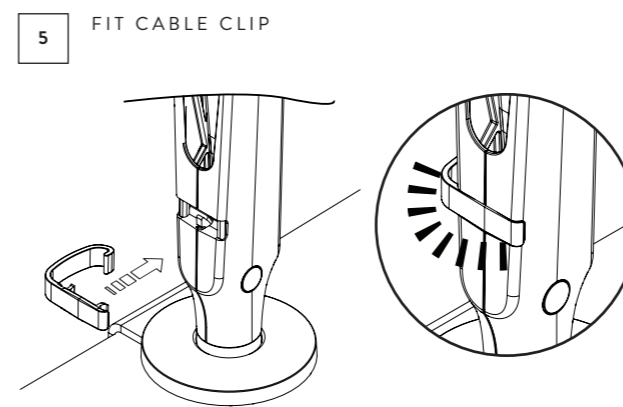
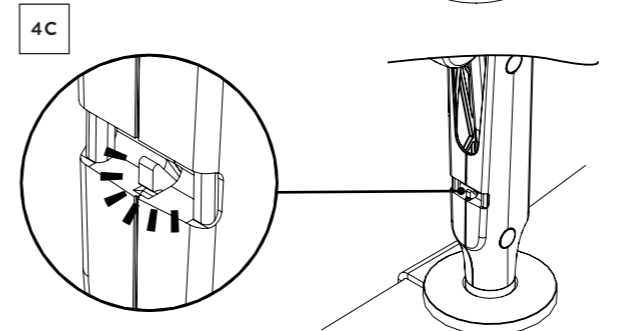
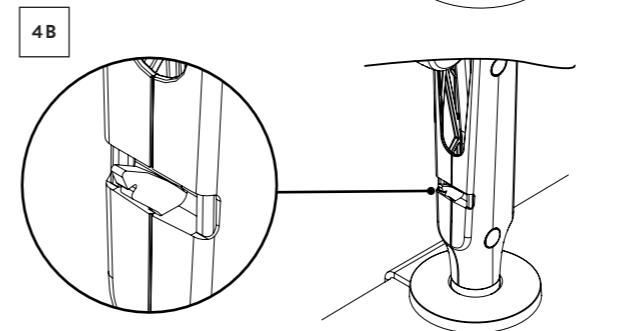
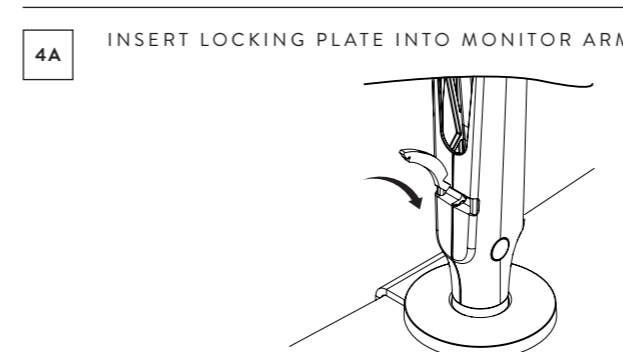
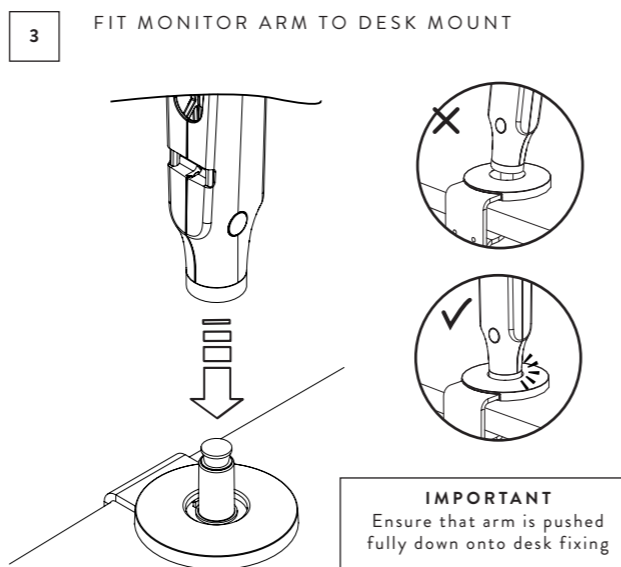
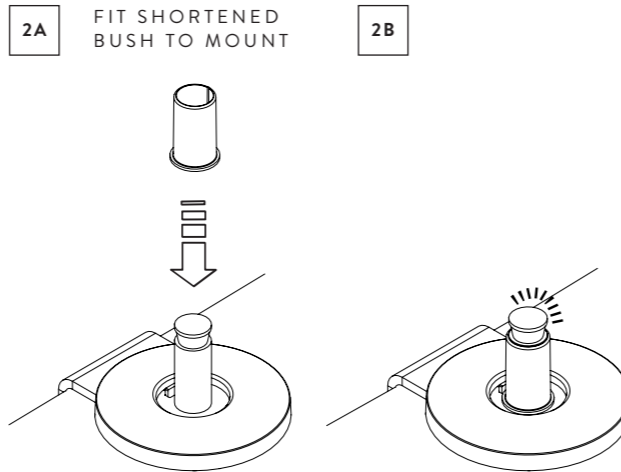
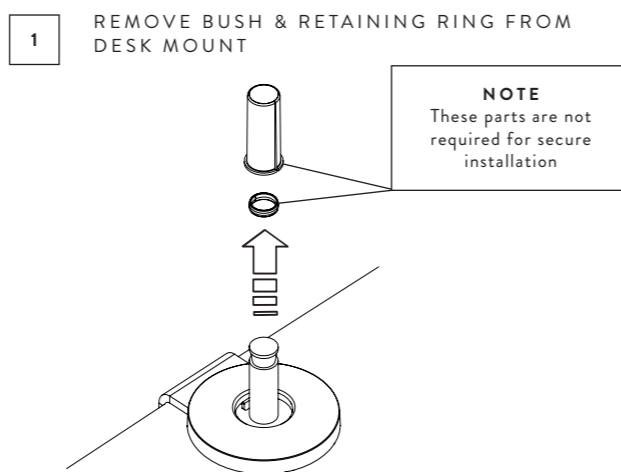
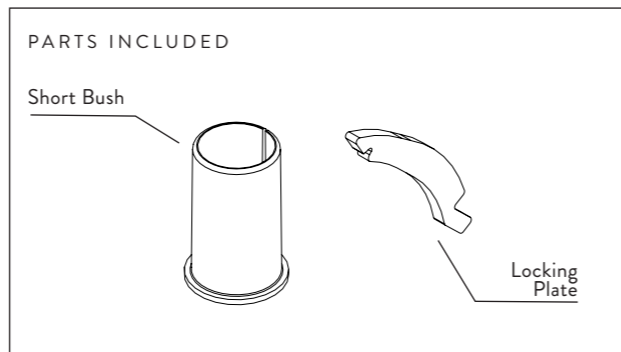


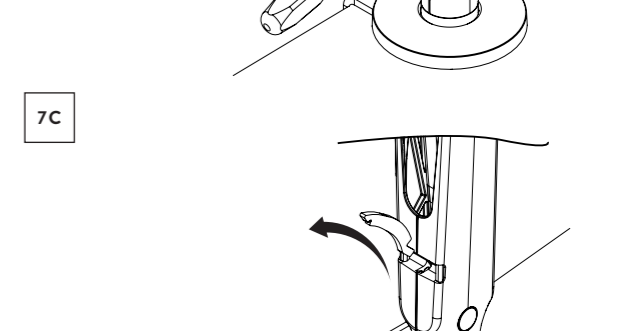
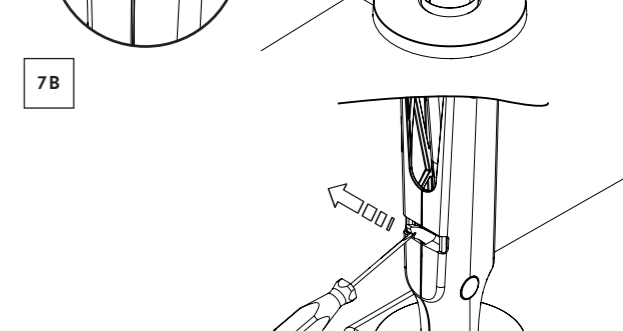
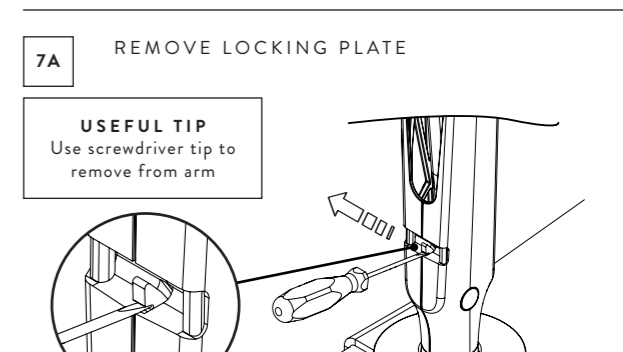
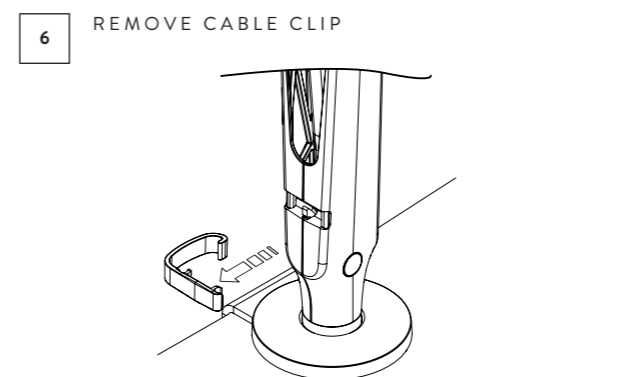
OLLIN LOCKING PLATE KIT

OLN-LOCK-INST-A-OCT 2017



INSTALLATION OF LOCKING PLATE KIT COMPLETE

(OPTIONAL) REMOVE LOCKING PLATE KIT



- ⚠ WARNING**
- Do not use this product for any purpose other than that for which it was designed
 - Ensure desk/work surface is suitable to take the weight of the arm/s and monitors
 - Supported weight must not exceed the maximum load per arm
 - Take care when installing as fingers could become trapped

- ⚠ MAINTENANCE AND INSPECTION**
- Ensure all screws and fixings are fully tightened and occasionally re-tighten if necessary.
 - Clean with a damp cloth. DO NOT use solvents.

- ⚠ DISCLAIMERS**
- The use of power tools, lever bars or excessive force during the installation, or re-configuration of the product will invalidate your guarantee
 - Failure to observe the recommendations in the use, and configuration of these products may affect your guarantee
 - As part of Colebrook Bosson Saunders ongoing product improvement programme, the design of products may change without prior notice and details may vary from those illustrated.

PATENTS

Colebrook Bosson Saunders hold a number of patents and other intellectual property rights covering our products and processes. You can find patent information on our website at: www.colebrookbosson.com/patents

OLN-LOCK-INST-A-OCT 2017

FOLD

FOLD

FOLD