

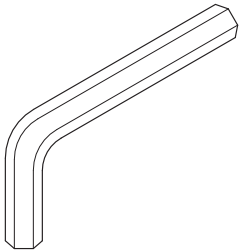
HermanMiller

Mode Desk Assembly

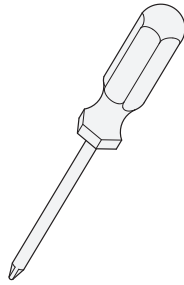


How to Assemble Mode Desk

Tools Required

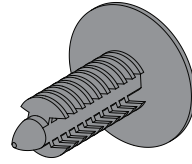


Allen wrench



Philips Screw Driver

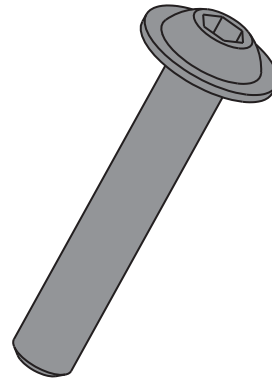
Parts Included



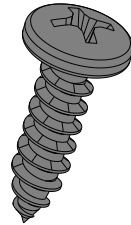
Plug



Bolts for Table Top and Cabinet Attachment



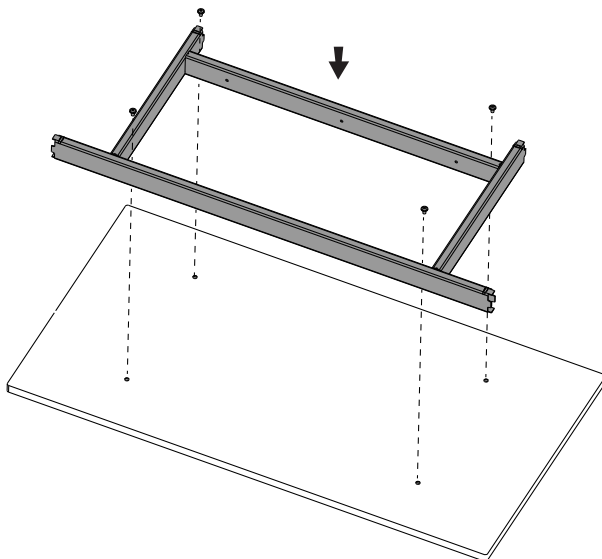
Leg Attachment Bolts



Drawer Handle attachment bolts

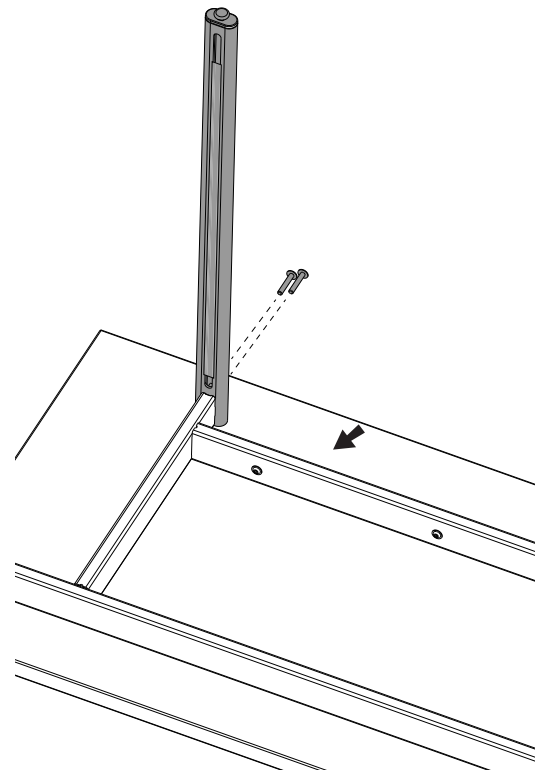
Step 1:

Lay desk top face down on a soft surface, secure with bolts.



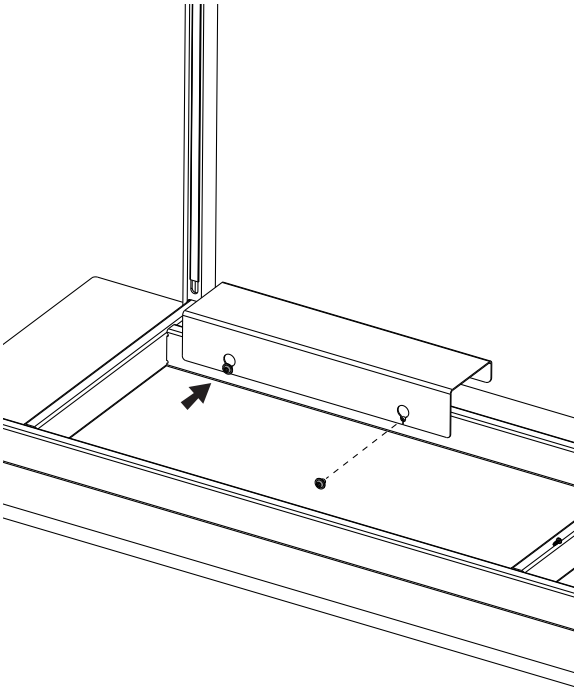
Step 2:

Install slotted cable leg (opposite from desired cabinet side if applicable).



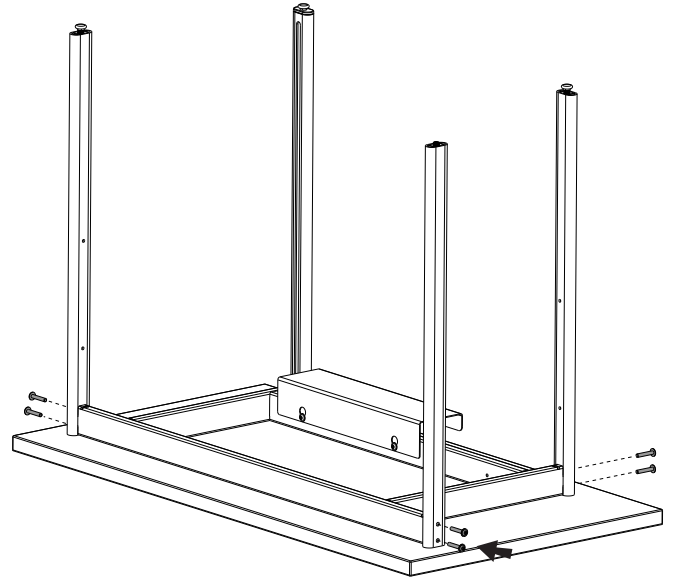
Step 3:

Install power strip bracket on same side as slotted cable leg.



Step 4:

Install remaining legs and tighten all bolts with wrench. Do not over tighten.

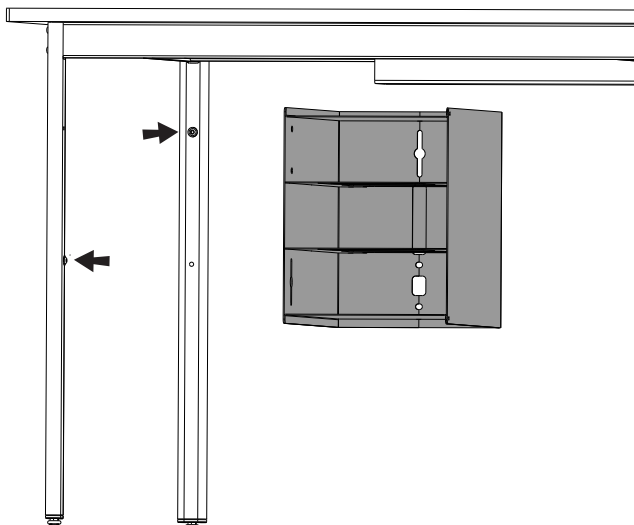


Step 5:

Flip desk upright. Level desk with included leveling glides if needed. If storage, continue with this step.

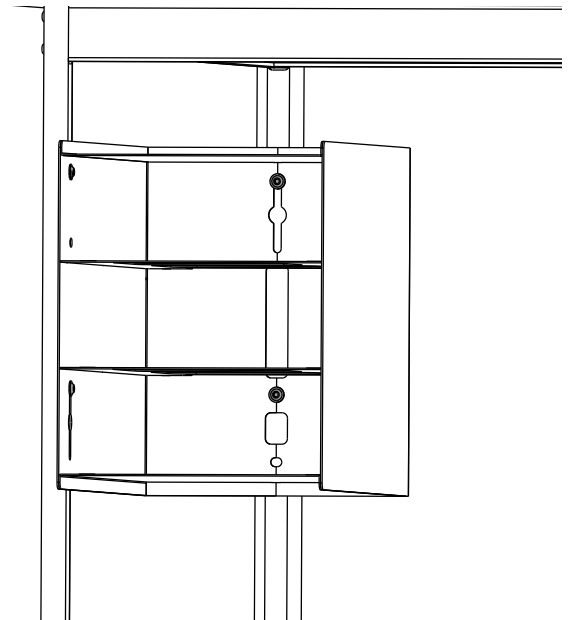
Loosely fit short bolts into storage legs on desired side. For left storage, insert one bolt in the bottom of the front and leg and in the top of the back leg. For right storage, insert one bolt in the top of the front leg and the bottom of the back leg.

Note: If no storage, proceed to Step 8.



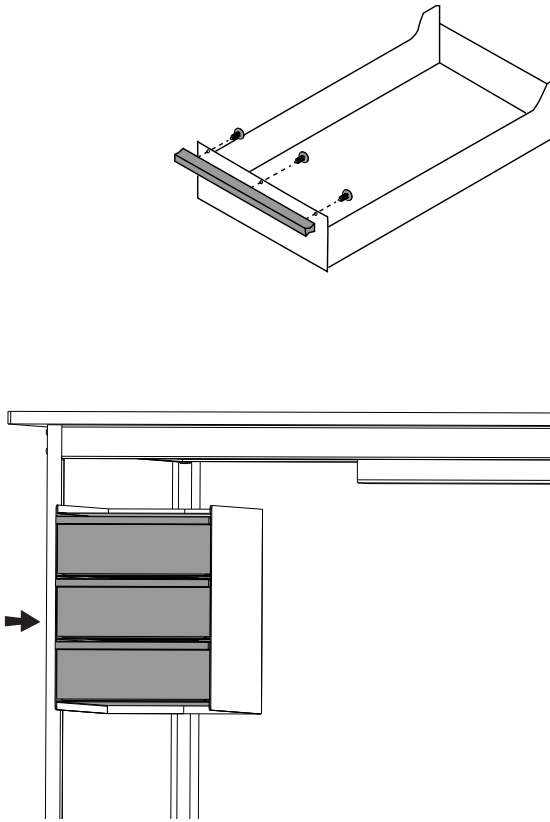
Step 6:

Lift cabinet onto installed bolts and slide onto desk through keyhole slots. Secure cabinet in place by bolting second bolt per leg into the upper hole (aligned with threaded hole in leg). Tighten bolts in keyholes.



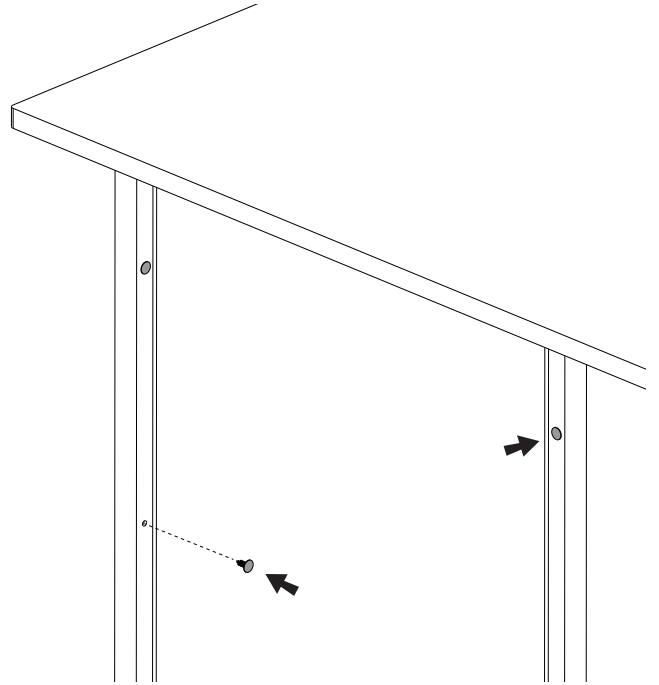
Step 7:

Attach drawer handles to drawer fronts. Repeat for all drawers.
Slide drawers into cabinet.



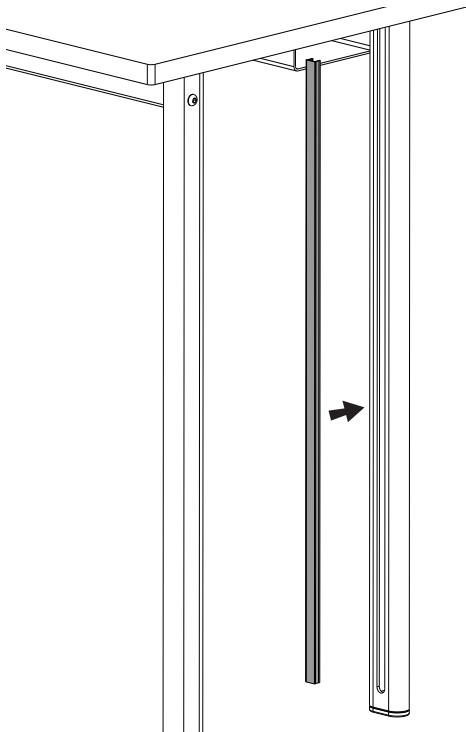
Step 8:

Cap holes in legs without storage using provided plugs.



Step 9:

To route cables down slotted leg, remove cover by pulling on one end. Insert cables and reinstall cover by pinching ends into slot at one side. Press cover into slot.



Warranty: For warranty information, visit hermanmiller.com/warranty.

Care and Maintenance: For information on the care and maintenance of your product, visit hermanmiller.com/care-and-maintenance.