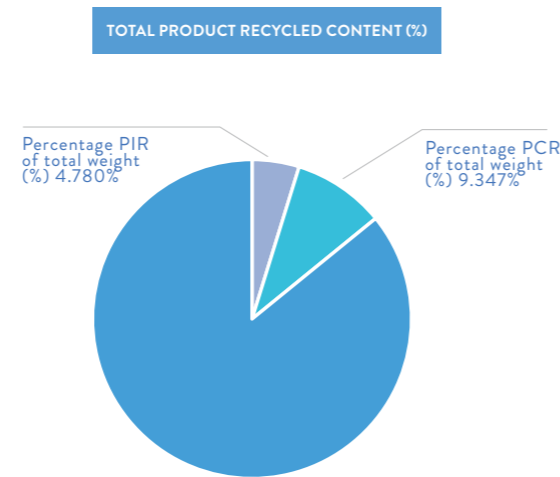
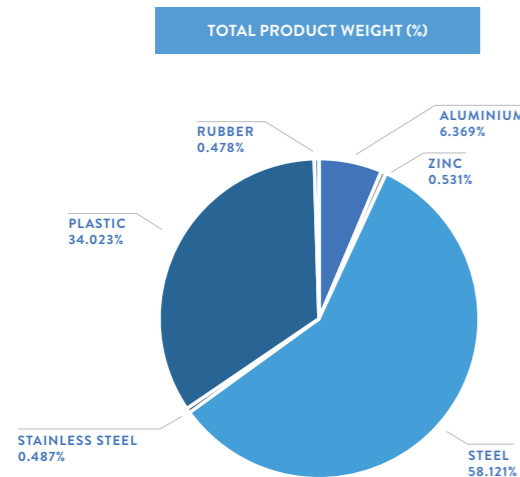


**ENVIRONMENTAL**

MATERIAL MAKE-UP			TOTAL RECYCLED CONTENT		BREAKDOWN OF RECYCLED CONTENT		TOTAL RECYCLABLE	
Overall Product			Overall Product		Overall Product		Overall Product	
Material type	Total Material type weight (g)	Percentage of Total Product Weight (%)	Material-Type Recycled Content (%)	Percentage PIR of total weight (%)	Percentage PCR of total weight (%)	Total Product Recyclable (g)	Total Product Recyclable (%)	
Aluminium	120	6.37%	6.051%	3.207%	2.844%	120	6.369%	
Zinc	10	0.53%	0.234%	0.117%	0.117%	10	0.531%	
Steel	1095	58.12%	7.555%	1.284%	6.271%	1095	58.121%	
Stainless Steel	9	0.48%	0.287%	0.172%	0.115%	9	0.478%	
Plastic	641	34.02%	0%	0%	0%	641	34.023%	
Rubber	9	0.48%	0%	0%	0%	9	0.478%	
<b>Total</b>	<b>1884</b>	<b>100%</b>	<b>14.127%</b>	<b>4.780%</b>	<b>9.347%</b>	<b>1884</b>	<b>100%</b>	



**COMPLIANCE & SAFETY CERTIFICATION**

Whilst no mandatory standards apply to the monitor arm product sector, all Colebrook Bosson Saunders monitor arms have been designed with appropriate articulation features, dimensional range and adjustability to conform to the requirements of BS EN ISO 9241:5 1999 Ergonomic requirements for office work with visual display terminals (VDTs).

While every effort is made to ensure the accuracy of our technical information, Colebrook Bosson Saunders (Products) Ltd accept no liability for the accuracy of the information contained in this document and reserve the right to modify the specifications or data contained herein without prior notification.

Doc Rev 1. Product Rev #A / 02.04.2019

**CLEANING, STORAGE & MAINTENANCE**

- |                        |   |
|------------------------|---|
| Routine servicing      | Periodic inspection   |
| Service components     | Available to order  |
| Cleaning & Maintenance | Damp cloth, no abrasives, no solvents to be used on the cosmetic surfaces |
| Handling & Storage     | Do not drop or expose to moisture   |



lima

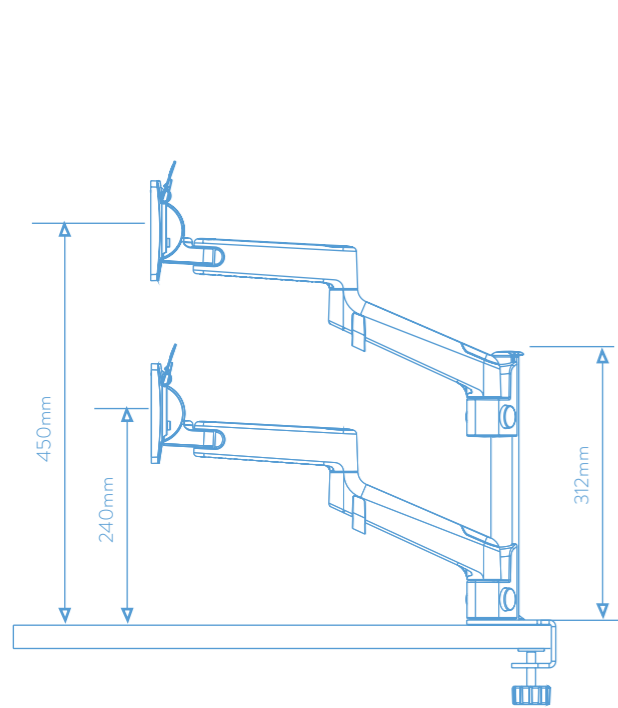
Lima Arm incl. Post Clamp  
LMA/001/001

**KEY FEATURES**

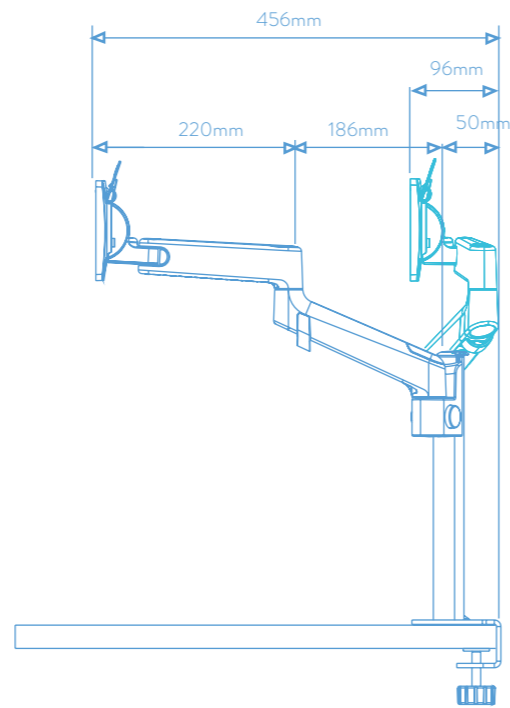
- Supports up to 6.5kg in monitor weight
- All in one box solution for a single screen set up
- Additional arm available separately for dual screen (LMA/001/002)
- Articulation range and smoothness of motion
- Integral post clamp (clamp range 6 to 40mm)
- Height adjustability achieved using push button technology
- Fast and easy installation
- 3-point cable management guides cables tidily from monitor to desktop
- Material selection and 'design-for-disassembly' make Lima 100% recyclable at the end of its operational life.
- Available in Black, White and Grey

Maximum Load Range:	6.5kg (14lbs)
Maximum Height:	450mm
Maximum Reach:	456mm
Vertical Range:	210mm
Tilt Range:	+80° / -10°
Recycled content:	14%
Total product recyclable:	100%

ARM AND POST DIMENSIONS

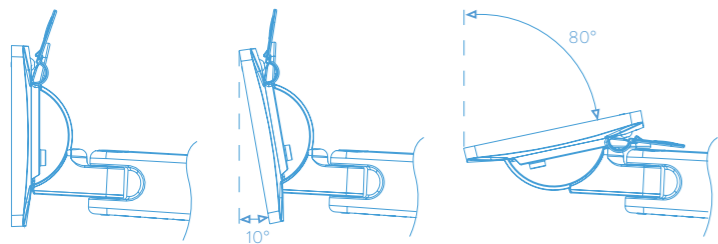


VERTICAL REACH	
Max	450mm
Min	240mm

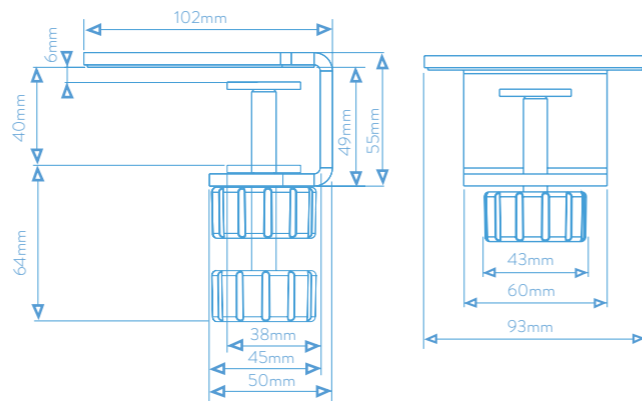


HORIZONTAL REACH	
Max	456mm
Min	96mm

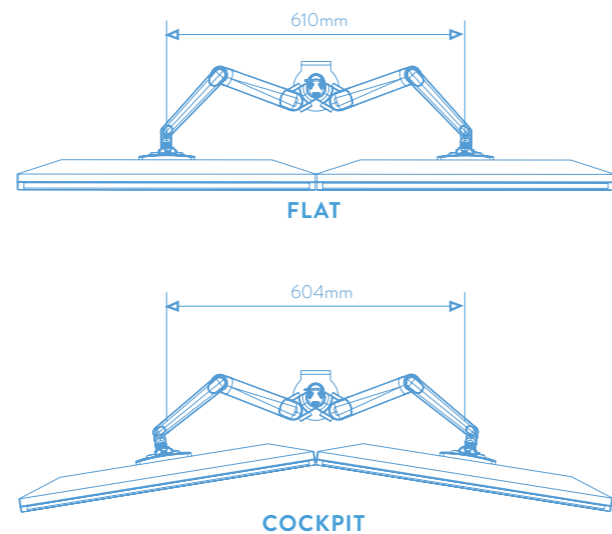
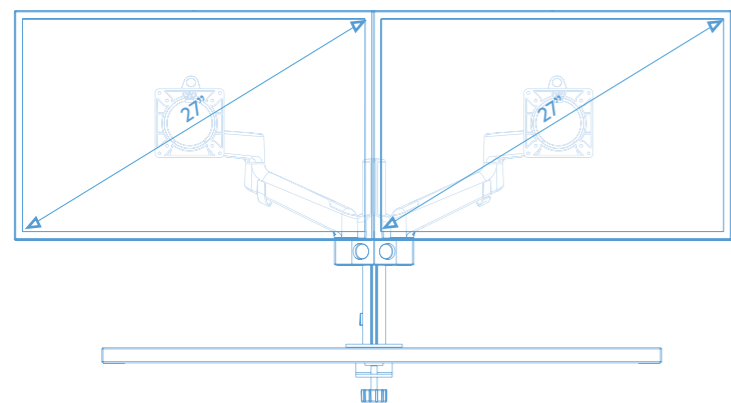
VESA TILT RANGE



CLAMP DIMENSIONS



MAX SCREEN SIZE DUAL - 27"



ORDERING INFORMATION

Product Description: Lima Arm incl. Post Clamp  
 Product code: LMA/001/001  
 Colour: /G: Grey or /W: White or /B: Black

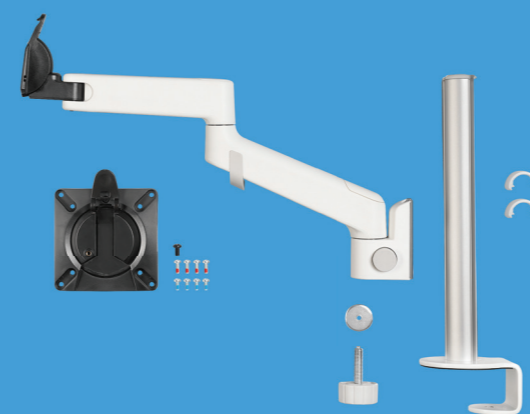
WARRANTY

Warranty Term: Limited lifetime

LOGISTICAL

BOX CONTAINS

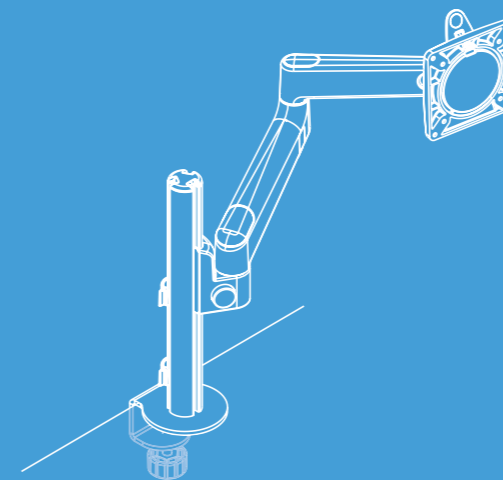
Lima arm, all in one post with clamp, VESA mount plate & VESA fixing screws, work top pad, cable management clips.



Product net weight:	1.9kg
Box dims (HxWxD):	535mm x 172mm x 126mm*
Box gross weight	2.5kg
Master carton quantity	4
Master carton dims (HxWxD):	560 x 365 x 275mm
Master carton weight:	10.8kg
Pallet quantity:	72 (18 master cartons)
Pallet dims (HxWxD)	1150 x 1150 x 1035mm
Pallet weight:	204.8kg
Country of origin:	India
Country of configuration:	UK

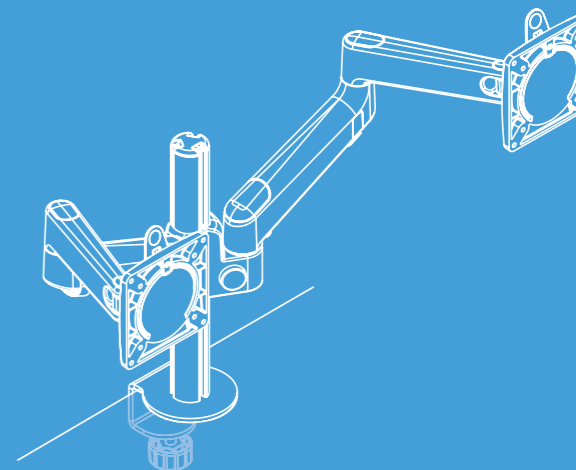
*Note\*: Some logistical data is estimated and subject to future confirmation.*

CONFIGURATIONS



LIMA SINGLE

1 x LMA/001/001



LIMA DUAL

1 x LMA/001/001  
 1 x LMA/001/002