



TECHNICAL SPECIFICATION SHEET

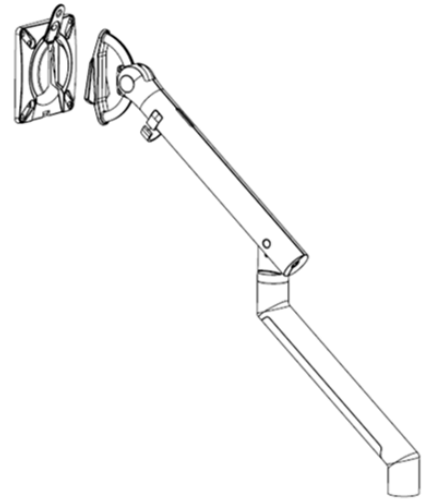
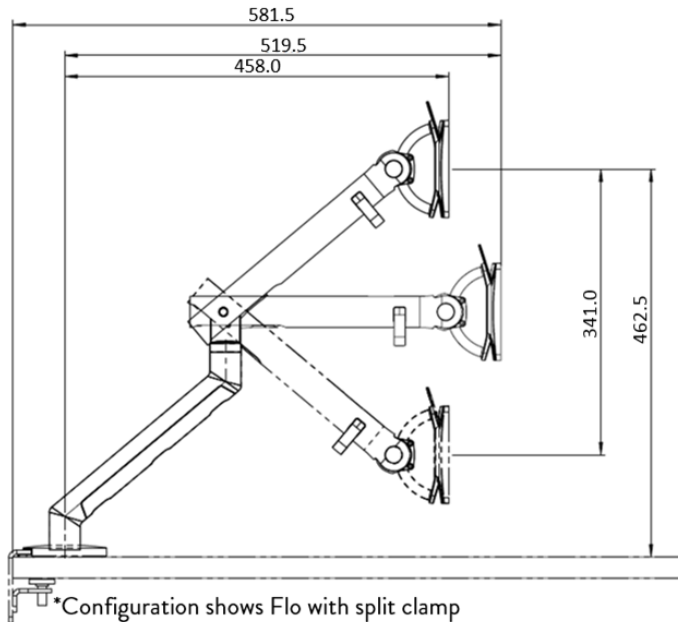
PRODUCT NAME: Flo Dynamic Monitor Arm

PRODUCT CODE: DYN/013/010

Doc Rev 4.

Product Rev: #G

12.09.17. CF



*Note that dimensions provided are measured in mm

KEY FEATURES

- Award-winning aesthetic design and functionality
- Smooth, dynamic movement through its patented Flo Spring Technology
- Unique head design provides unrivalled degree of flexibility for tablets and touch screens
- Weight gauge reduces installation time and provides consistent performance
- Integrated three-point cable management system
- Minimal environmental impact
- Portrait / landscape screen mounting

Product Classification	Monitor Arms
Min Load	3kg (6.6lb)
Max load	9kg (19.84lb)
Tilt range	48.5° upwards, 48.5° downwards
Horizontal Range	458mm
Vertical Range	341mm
Recycled content	68.17%
Total product recyclable	100%

LOGISTICAL

Box contains	Arm & Quick Release Mount Plate, Allen Key
Product net weight:	1.8 kg
Box dims (HxWxD)	90 x 130 x 671 mm
Box gross weight	1.9 kg
Carton quantity	6
Master dims (HxWxD)	275 x 295 x 690 mm
Master weight	13.3 kg
Country of origin	China
Country of configuration	UK

ORDERING INFORMATION

<u>Product Description</u>	<u>Product code</u>	<u>Colour</u>
Flo Dynamic Monitor Arm	DYN/013/010	:/S Silver or :/W White

WARRANTY

Warranty Term	Limited lifetime – Excludes
----------------------	-----------------------------

COMPLIANCE & SAFETY CERTIFICATION

Whilst no mandatory standards apply to the monitor arm product sector, all Colebrook Bosson Saunders monitor arms have been designed with appropriate articulation features, dimensional range and adjustability to conform to the requirements of BS EN ISO 9241:5 1999 Ergonomic requirements for office work with visual display terminals (VDTs).

Conformance certification	<ul style="list-style-type: none">• BS EN ISO 9241:5 1999 Ergonomic Requirements for office work with visual display terminals (VDTs). FIRA certificate of conformance• FIRA load testing and lifetime fatigue test - PP050. Passed as suitable for 'severe use'
Test authority	FIRA
Safety certification	N/A

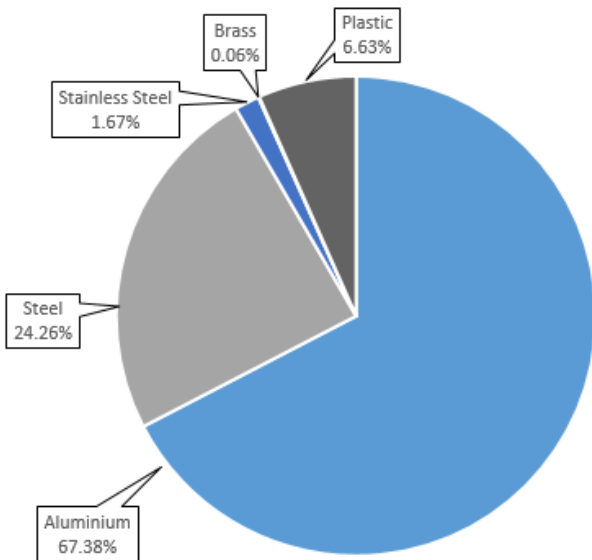
ENVIRONMENTAL

Material Make-up			Total Recycled Content	Breakdown of Recycled Content		Total Recyclable	
Overall Product			Overall Product	Overall Product		Overall Product	
Material type	Total Material type weight (g)	Percentage of Total Product Weight (%)	Material-Type Recycled Content (%)	Percentage PIR of total weight (%)	Percentage PCR of total weight (%)	Total Product Recyclable (g)	Total Product Recyclable (%)
Aluminium	1088	67.38%	64.01%	33.93%	30.09%	1088	67.38%
Steel	391.7	24.26%	3.15%	0.54%	2.62%	392	24.26%
Stainless Steel	27	1.67%	1.00%	0.60%	0.40%	27	1.67%
Brass	1	0.06%	0.00%	0.00%	0.00%	1	0.06%
Plastic	107	6.63%	0.00%	0.00%	0.00%	107	6.63%
Total	1614.7	100.00%	68.17%	35.06%	33.10%	1614.70	100.00%

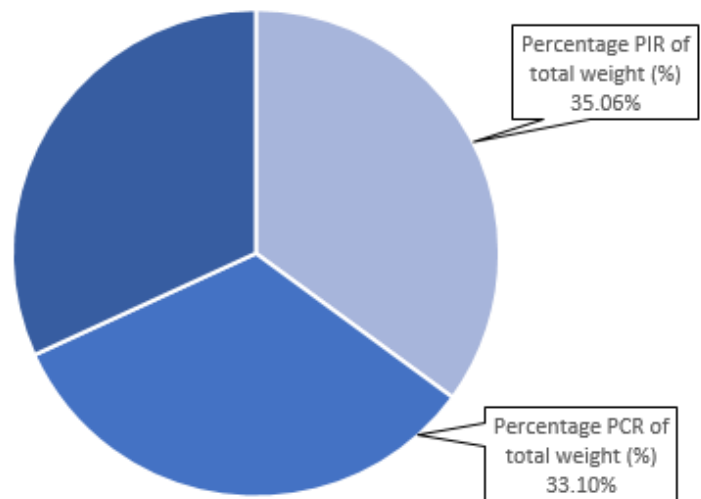
PIR = Post Industrial Recycled

PCR = Post Consumer Recycled

Total Product Weight (%)



Total Product Recycled Content (%)



CLEANING, STORAGE & MAINTENANCE

Routine servicing

Periodic inspection

Service components

Available to order

Cleaning & Maintenance

Damp cloth, no abrasives, no solvents to be used on the cosmetic surfaces

Handling & Storage

Do not drop or expose to moisture

While every effort is made to ensure the accuracy of our technical information, Colebrook Bosson Saunders (Products) Ltd accept no liability for the accuracy of the information contained in this document and reserve the right to modify the specifications or data contained herein without prior notification.