

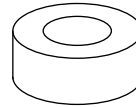


## Parts Included:

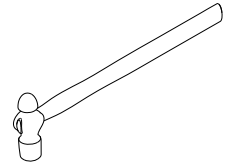


Base

## Tools Required:

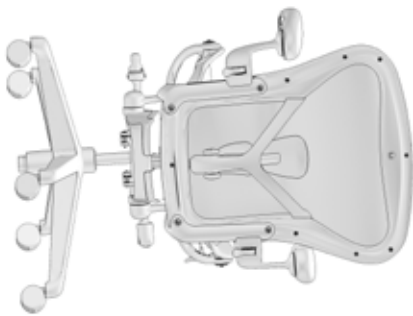


Nylon Cap



2lb Hammer

## Steps:



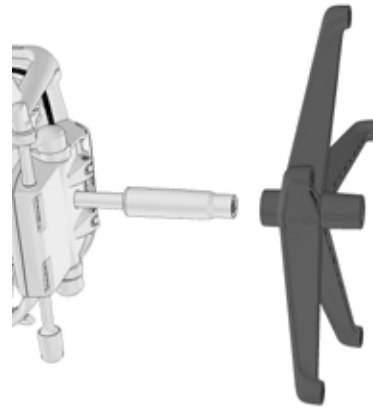
1. Lay chair on the side.



2. Remove all the casters and set aside for installation into the new base.



3. Place the nylon cap over the bottom of the cylinder. Strike the cap using a 2lb hammer to dislodge the base from the cylinder



4. Remove the base from the cylinder.

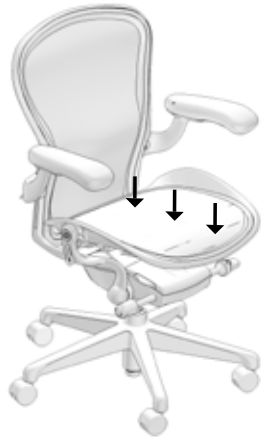
## Re-Assembly Steps:



5. To reinstall the casters, place the thumb at the bottom of the caster and wiggle in until an audible click sound is heard.



6. Place the cylinder and the seat assembly into the base.



7. Sit in the chair firmly several times to set the cylinder in the base.