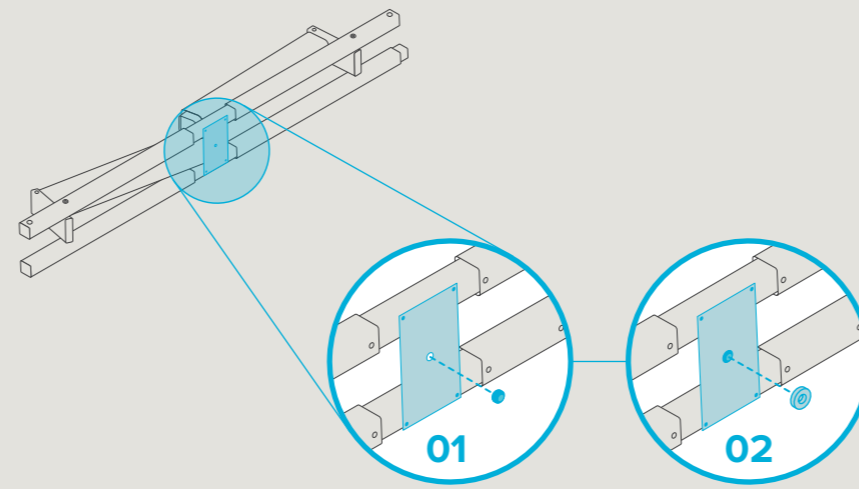
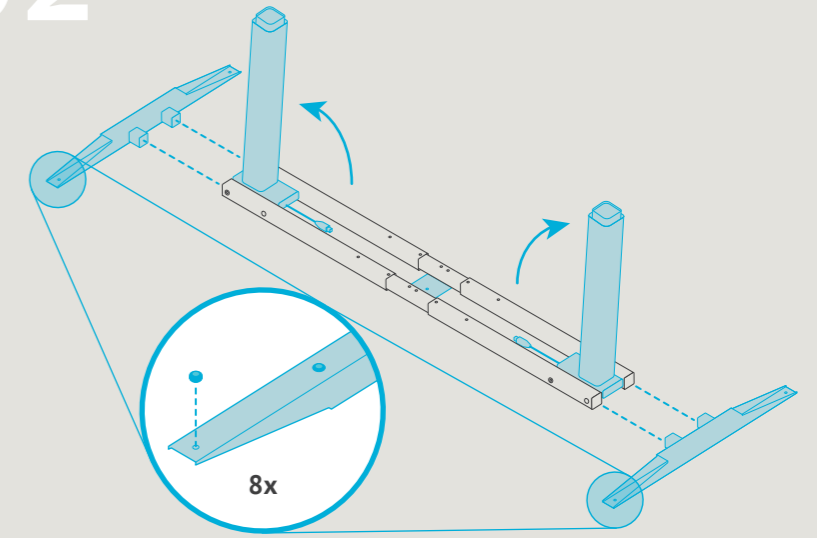


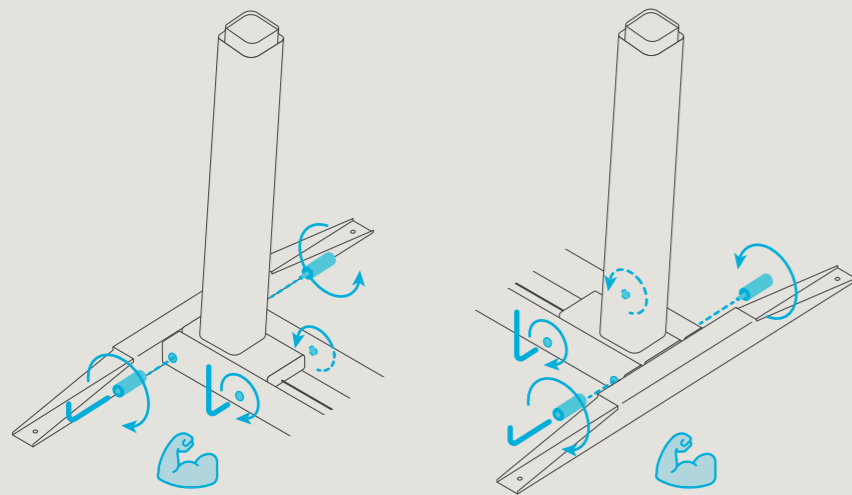
01 1x 1x



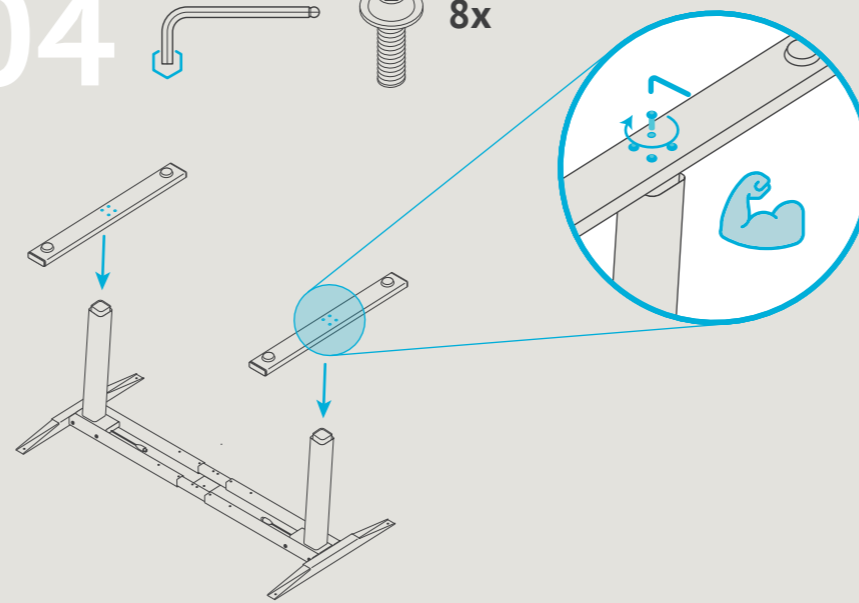
02 8x



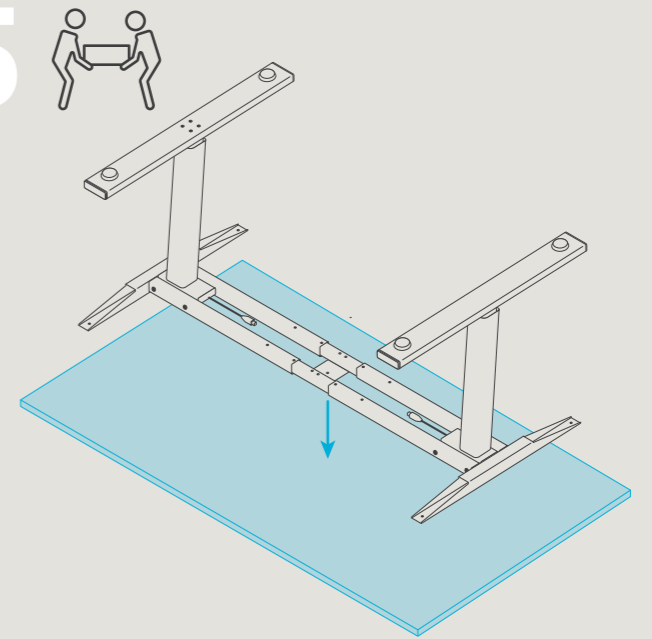
03 4x



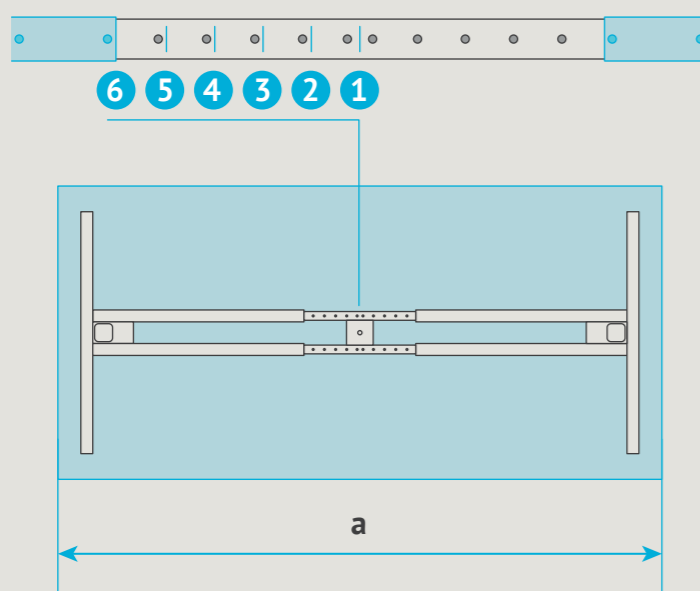
04 8x



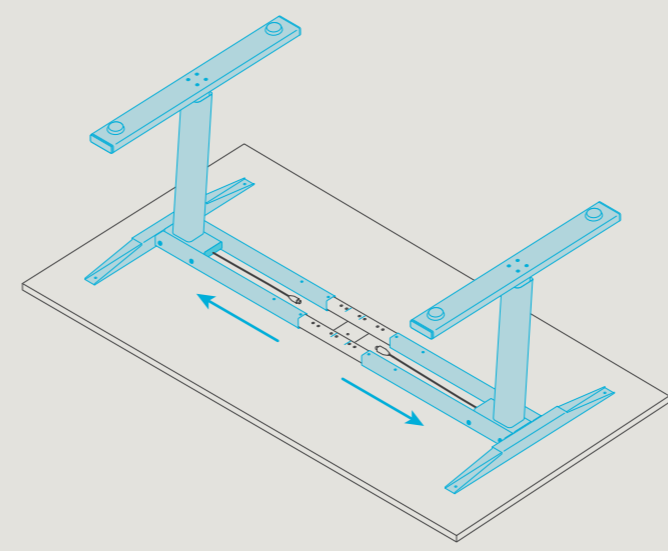
05



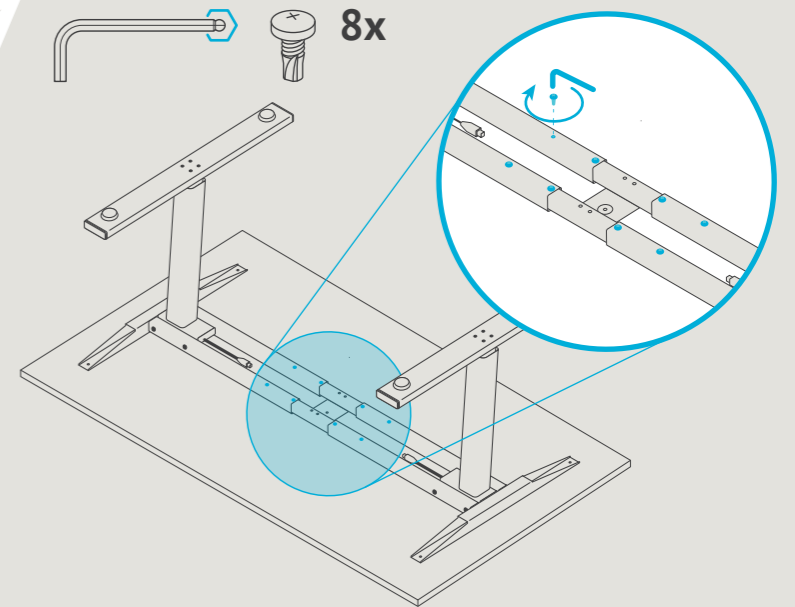
06



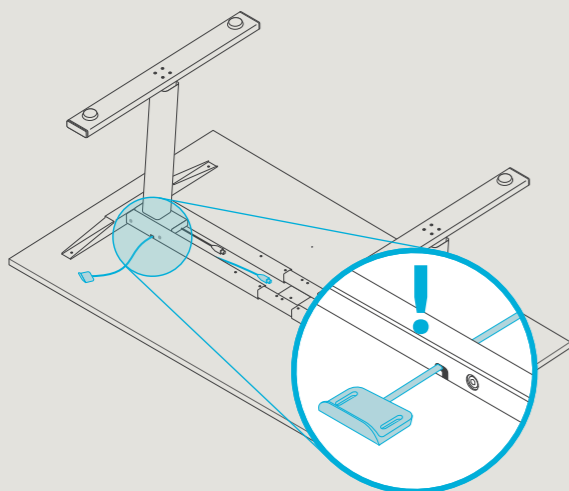
- 1 a = 1200 mm
- 2 a = 1300 mm
- 3 a = 1400 mm
- 4 a = 1500 mm
- 5 a = 1600 mm
- 6 a = 1700 mm



07 8x

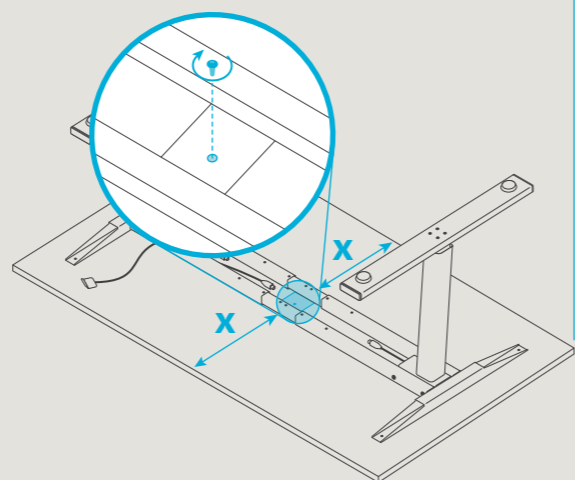


08



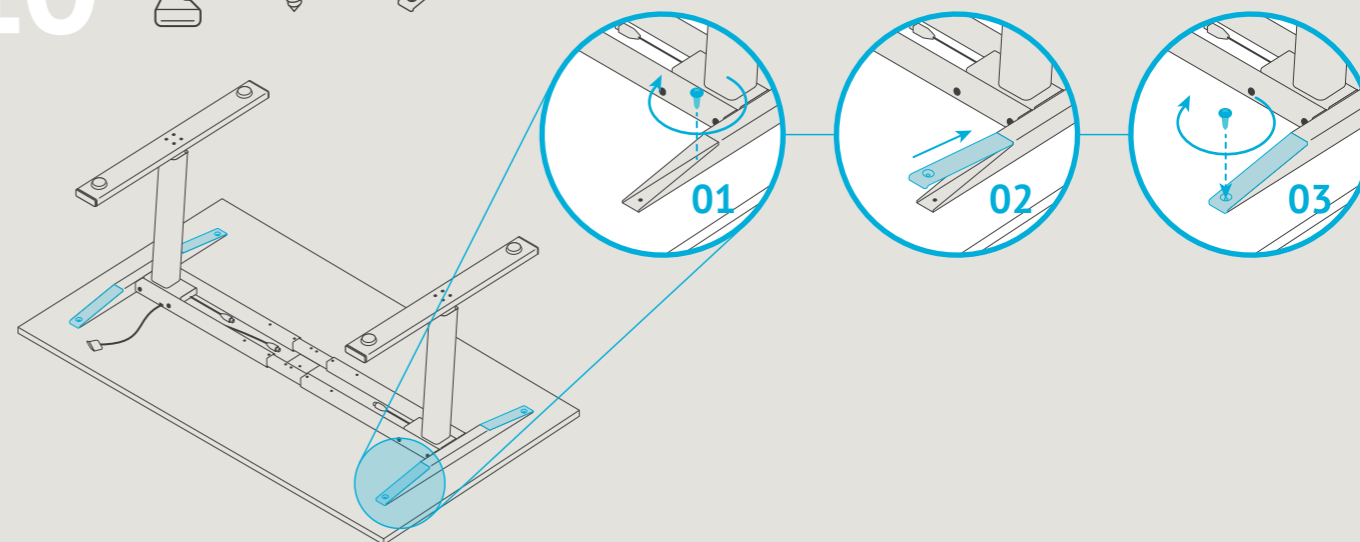
09

1x $\geq 18 \text{ mm!}$



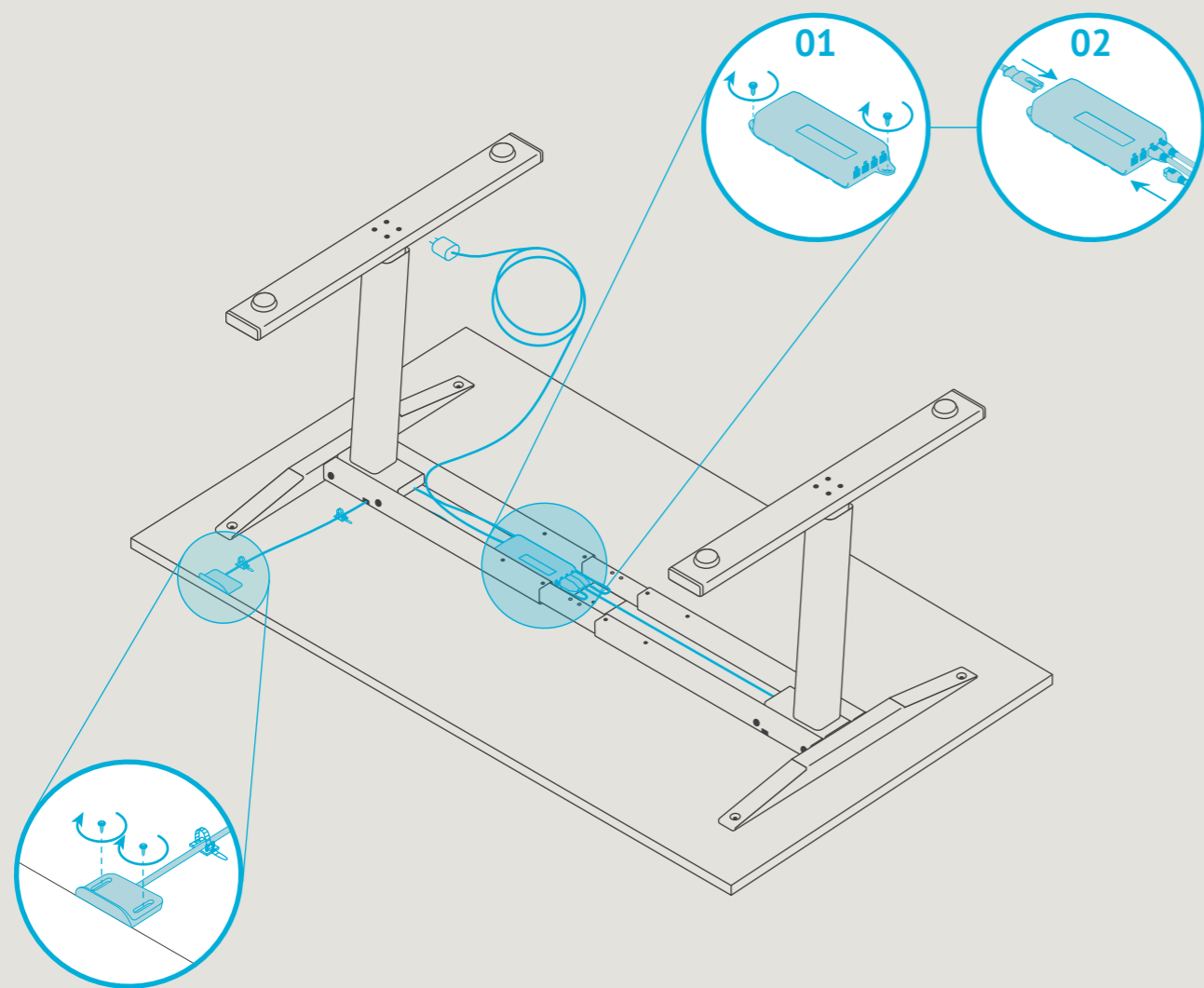
10

8x 4x



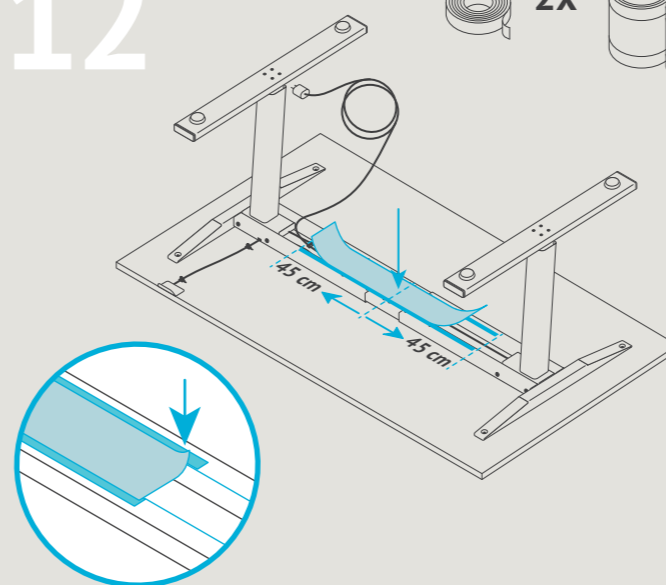
11

4x 2x



12

2x



13

