



cre8

SitStand FLEXI

electrically height-adjustable
desk systems

One Product – many sizes.

The height-adjustable table frame can be mounted in four widths and thus provides the basis for a variety of different table top formats.

The frame that grows with you.



Possible table top sizes.

- XS: 1.200mm - 1.350mm
- S: 1.350mm - 1.550mm
- M: 1.550mm - 1.750mm
- L: 1.750mm - 2.000mm

Width & none width adjustable variants

Features



ULTRA QUIET
Operation



CONSTANT
Speed



ANTI COLLISION
Protection (ISP)



BRUSHLESS
Motor Technology



MADE IN
Europe



SEVERAL
Colors & Decors



SIMPLE & FAST
Set-Up

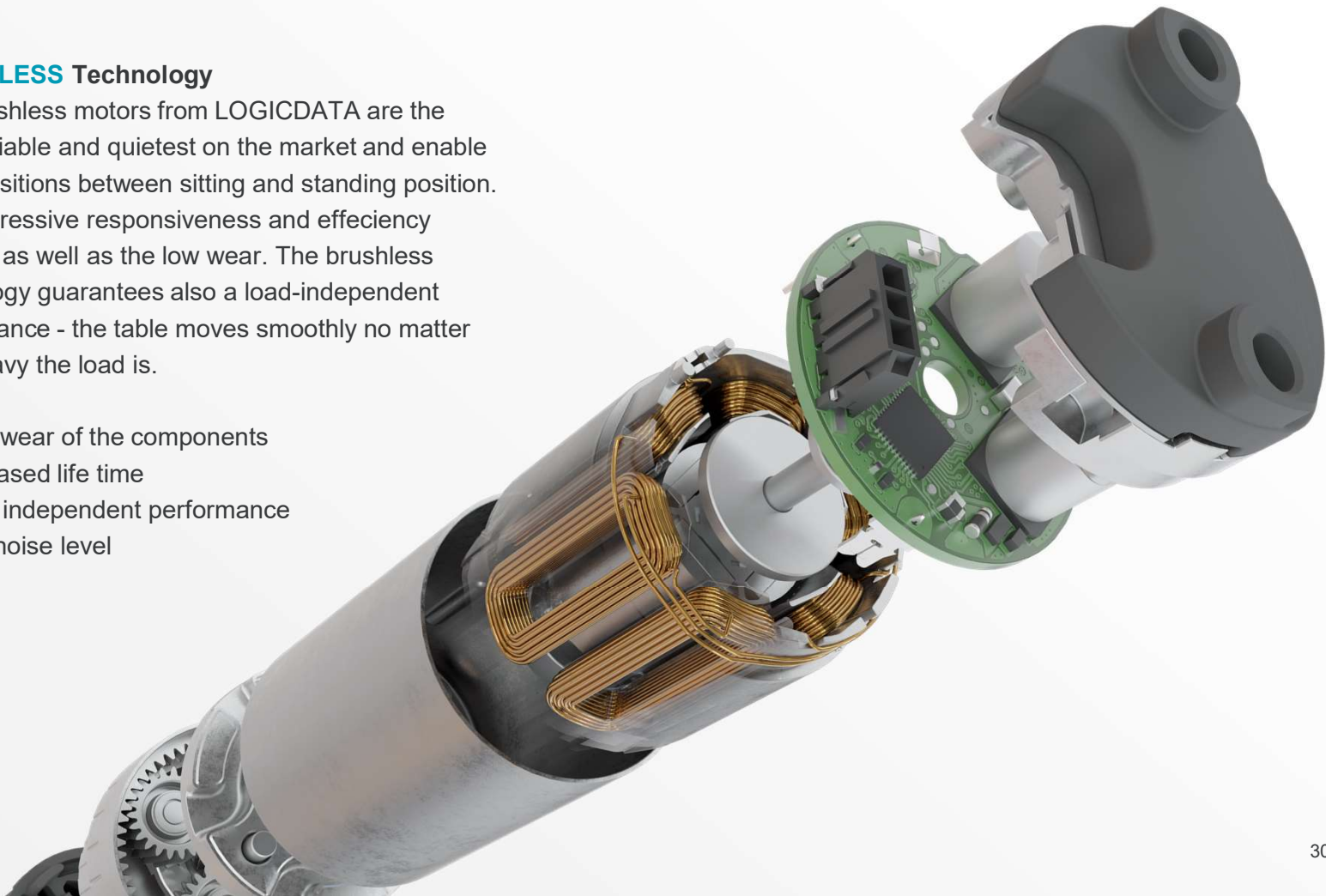


OUTSTANDING
Design

BRUSHLESS Technology

The brushless motors from LOGICDATA are the most reliable and quietest on the market and enable soft transitions between sitting and standing position. The impressive responsiveness and efficiency inspires as well as the low wear. The brushless technology guarantees also a load-independent performance - the table moves smoothly no matter how heavy the load is.

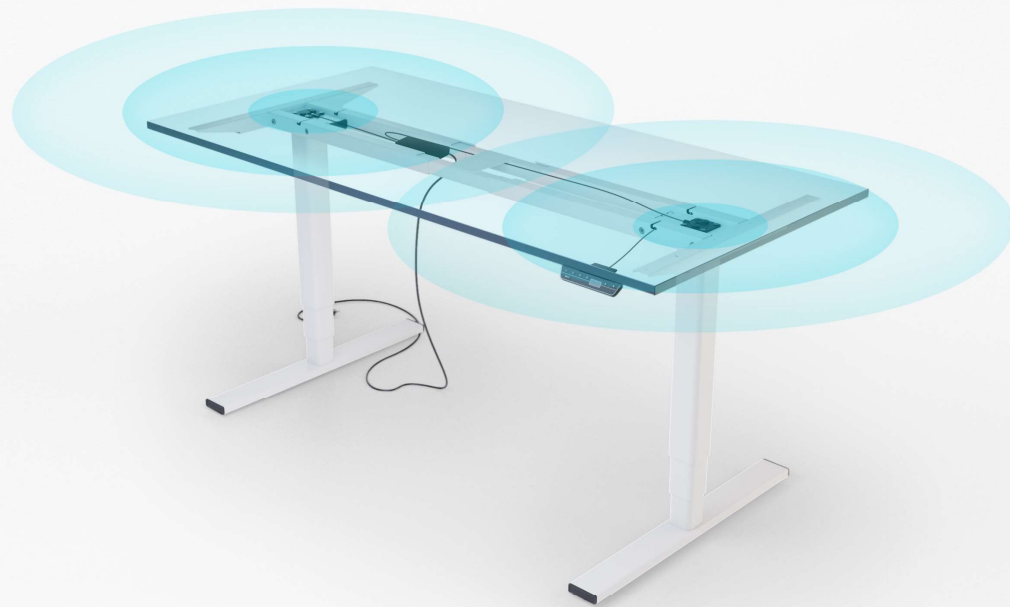
- Less wear of the components
- Increased life time
- Load independent performance
- Low noise level



2 Sensors because we care about safety!

The **FLEXI** table frame is using LOGICDATA's Intelligent System Protection (ISP), a cutting-edge technology when it comes to anti-collision detection. The integrated sensor in every table leg is a perfect solution that minimizes the risk of costly collisions between your height-adjustable table and its surroundings. No need for extra parts, no need for complex assembly procedures.

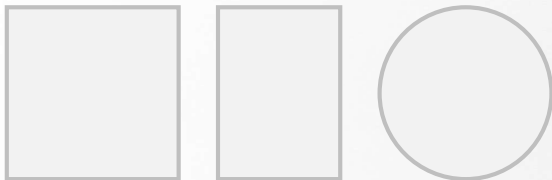
- 2 integrated sensors per table system
- Patented technology
- Load independent performance
- Ready for IEC 60335-2-116



Unique Design

The **FLEXI** table frame stands out with its reduced and unique design from the multitude of products on the market emerged. Especially the leg design with its soft edges makes the **FLEXI** an unique and stand out of the crowd product.

- Modern & slim design
- Packaging optimized for online shipping
- Unique column shape as differentiation



Traditional table leg shapes



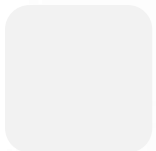
Unique
FLEXI shape



Colors & Surfaces

The **FLEXI** products are standard available in the following options:

Frame & Table Leg (metal, powder-coated)



White matt



Black matt



Silver metallic





LOGICDATA DMUI-HSM hand-switch

- Fully customizable hand-switch
- Ergonomic design with one extraordinary look and feel
- Responsive up/down movement
- Soft touch
- Easy installation under the table-top



LOGICDATA DMUI-HSU hand-switch

- Fully customizable hand-switch
- Modern look & feel
- Up to 4 memory position buttons
- Digital display
- Rapid up/down movement
- Soft touch
- Easy installation under the table-top



EASY set-up

- In 7 steps to the finished table
- Customizable quick assembly instructions
- Interactive step-by-step instructions
- Detailed user manual

Box Contents

1x Crossbar
(Legs Pre-attached)

2x Side Brackets

2x Feet

2x Assembly
Tool

6x Cable
Holder

13x Table Top
Screws

Mounting

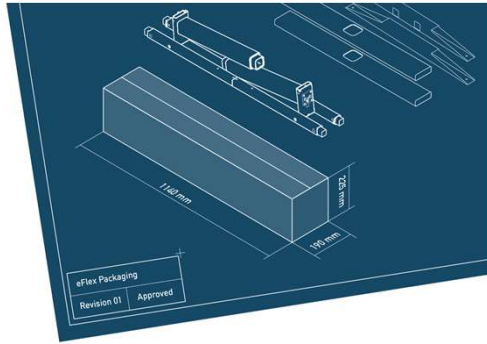
8x Self Cutting
Screws

4x Leg
Screws

secure with Mounting
stabilize the

01 Unfold the Legs so that they lock

04

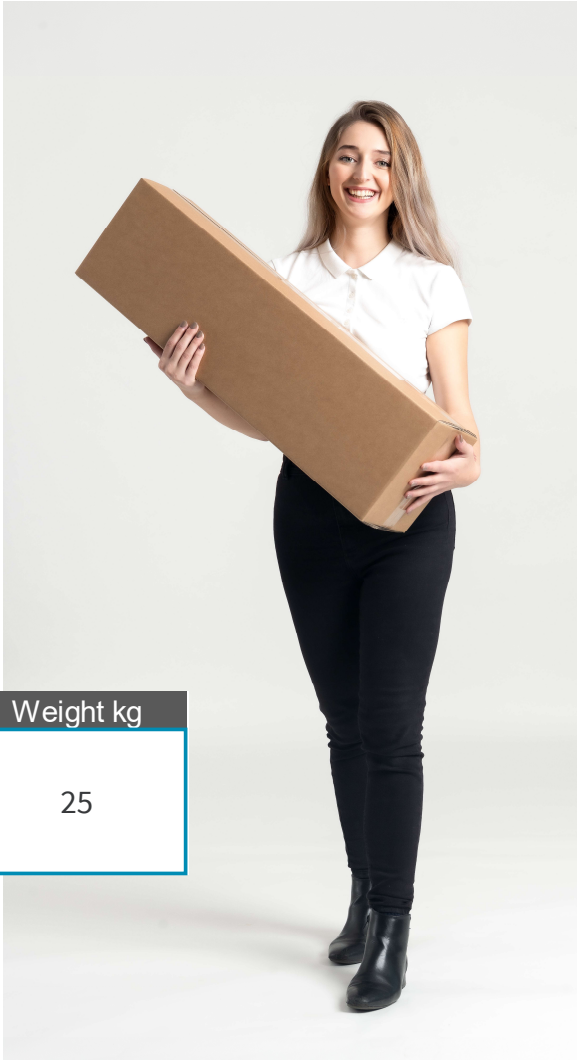


Compact Packaging

All components of the FLEXI fit into a compact shipping box. For optimal space utilization and efficient shipping costs.

**cre8 SitStand
FLEXI DESKS**

Box size mm	Weight kg
1140 x 190 x 225	25



Technical Data SitStand FLEXI



FRAME PRODUCT

Technical Data

SitStand FLEXI



<i>EU TYPE</i>	SitStand FLEXI
Column stages	Single – 483mm stroke
Column shape	Square
Travel range (without top)	682mm – 1165mm
Frame L x W	1163mm– 1700mm x 560mm
Lifting capacity	100 kg
Speed	38 mm/s
Motor technology	Brushless
Hand switch	Up/down & Memory (optional)
Anti Collision	Yes
Colors	Black, White, Silver
Certificates	ISO 9001, ISO 14001

SitStand FLEXI

- 2 x LEGS *incl. Sensor* (Single/Dual Stage)
- 2 x MOTOR CABLE (LIN Bus)
- 1 x CROSS BEAM (adjustable/none adjustable)
- 2 x SIDE PROFILE
- 2 x FEET
- 1 x POWER HUB 240VA
- 1 x DMUI-HSM up/down hand-switch
- 1 x SINGLE PACKAGE (UPS shipable)



Custom product configurations possible



Individual logistics models available



*Switch Symbol picture